



MarFlex

Deepwell pump
Air supply hose

Service Bulletin

No. 2 - 2020

For stripping, purging and exchanging the lubrication oil of a MarFlex deepwell pump, compressed air or inert gas is needed. Originally, for most of these processes the MarFlex purging set had to be used.

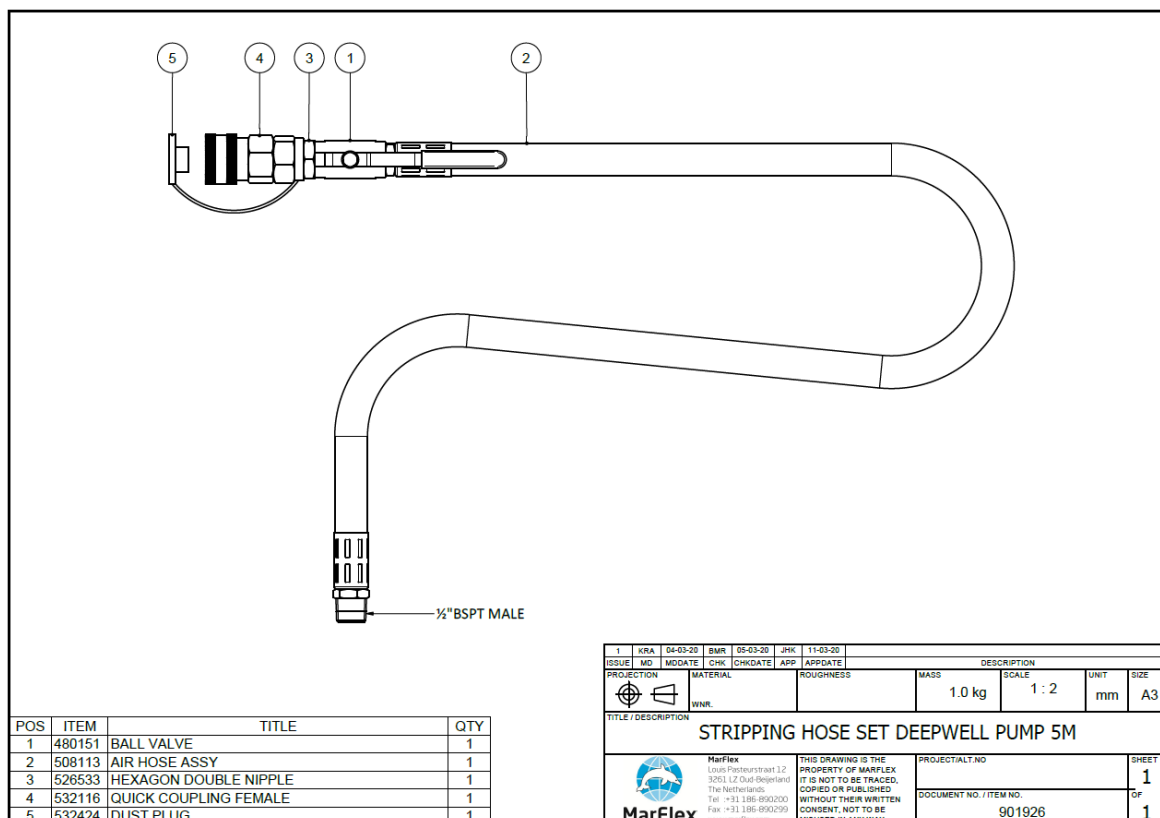
However, to make the process as easy as possible, a new stripping hose and two new purging hoses are available:

1. New Stripping hose
2. New Purging hose with pressure relief valve, also suitable for connecting the MarFlex oil draining pump
3. New Purging hose with pressure relief valve, also suitable for connecting the MarFlex oil draining pump (for ATEX certified systems)

The new stripping and purging hoses can be used without the original purging set.

1. Stripping hose with a valve to open & close, used for pumps for the standard stripping functionality. (Default item: 901926 - 5 meter hose)

- Easy control of the airflow by use of an air-valve close to the coupling at the pump.
- Prepared with ½" BSPT male connection for installing ship-side couplings.



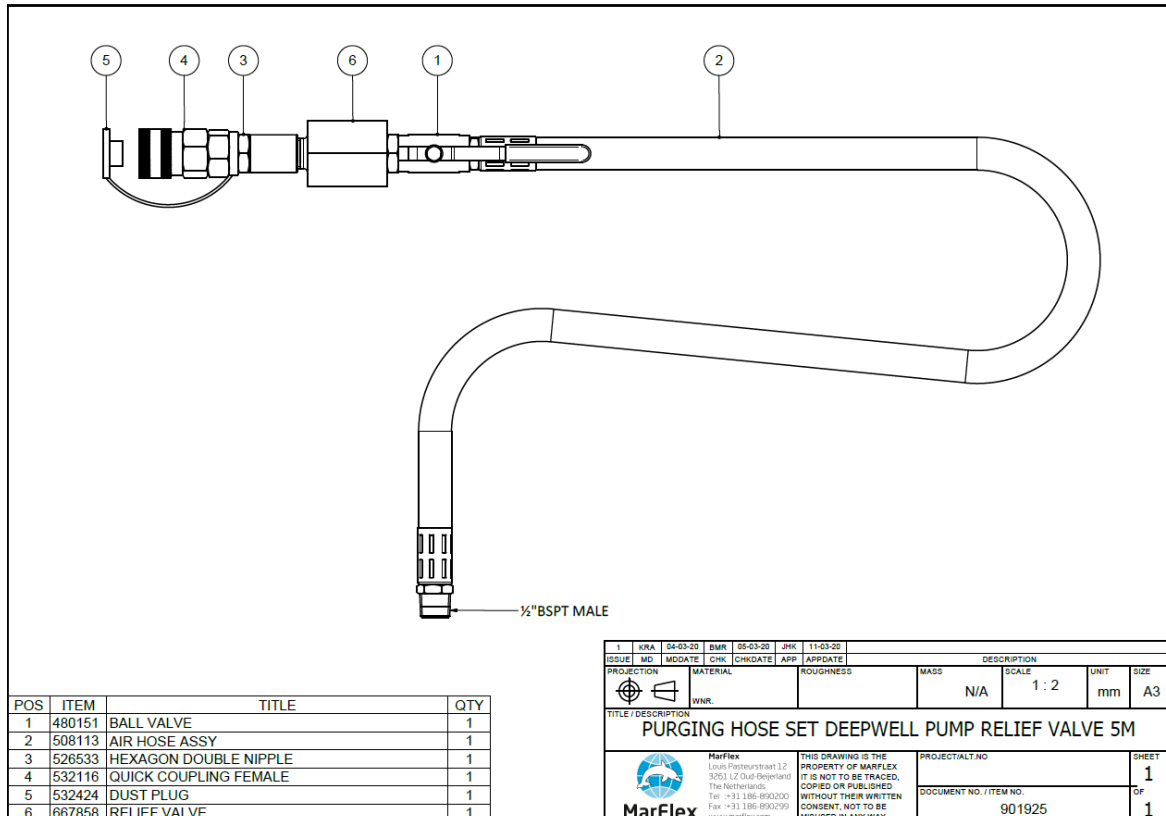
Air supply hose

Service Bulletin



2. Purging hose for purging with a pressure relief valve set to maximum 3 bar. The hose is also suitable for connecting to the lubrication oil exchange pump.
(default item 901925 - 5 meter hose)

- Easy control of the airflow by use of an air-valve close to the coupling at the pump.
- Prepared with ½" BSPT male connection for installing ship-side couplings.
- No need to have pressure relief valves at the purge inlet at each pump.

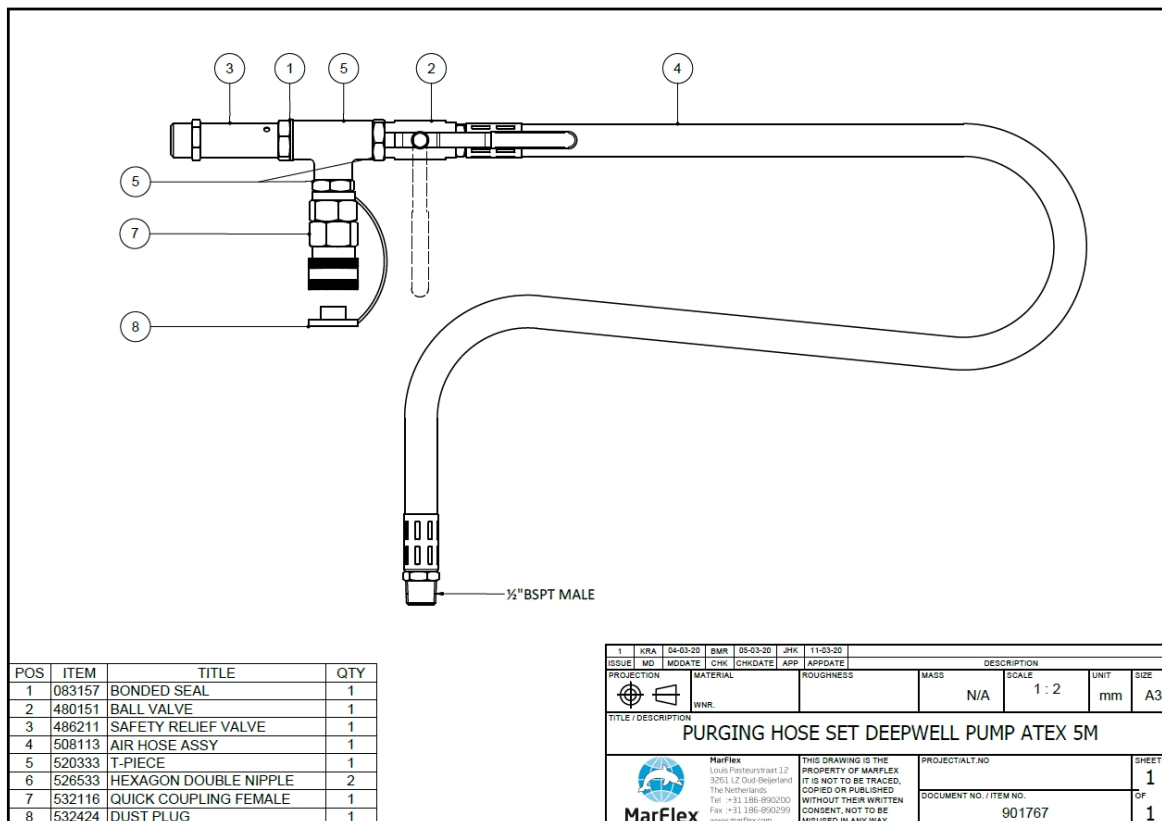


Air supply hose Service Bulletin



3. Special ATEX-compliant hose with a pressure relief valve set to 3 bar for purging, and for connecting to the lubrication oil exchange pump.
(default item 901767 - 5 meter hose)

- Easy control of the airflow by use of an air-valve close to the coupling at the pump.
- Prepared with ½" BSPT male connection for installing ship-side couplings.
- No need to have pressure relief valves at the purge inlet of each pump.
- To be used for ATEX certified systems.



For any queries or technical advice, please contact MarFlex at:

service@marflex.com

T +31 (0)186 890 200



MarFlex



MarFlex Europe (Headquarters)

Louis Pasteurstraat 8
3261 LZ Oud-Beijerland
The Netherlands

T +31 186 890200
F +31 186 890249
info@marflex.com
www.marflex.com