



MarFlex

Draining pump Seal cartridge



Service Bulletin

No. 3 - 2020

Seal cartridge

Service Bulletin

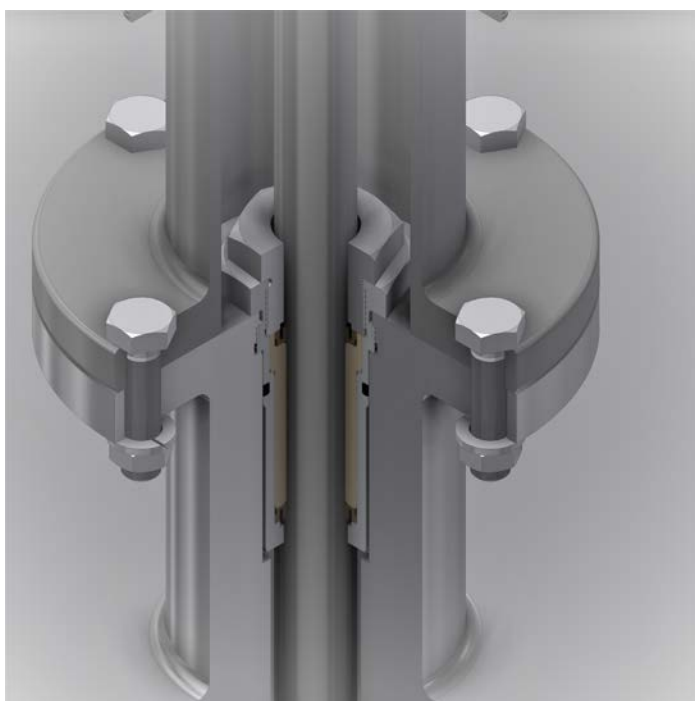
New deck seals for MarFlex draining pumps have been developed for easier maintenance. The new MarFlex seal cartridges are designed to be replaced from the deck, whilst the original deck seals require tank entry in order to exchange them.

Benefits:

- No tank entry required
- Exchanging a seal (cartridge) is much more efficient

When changing from the original deck seal to the new seal cartridge, a final tank entry is needed to remove the original parts. Once this has been done, the new seal can be mounted from the deck.

Seal cartridges are now available with the reference number 669601.



For any queries or technical advice, please contact MarFlex at:

service@marflex.com

T +31 (0)186 890 200



MarFlex



MarFlex Europe (Headquarters)

Louis Pasteurstraat 8
3261 LZ Oud-Beijerland
The Netherlands

T +31 186 890200
F +31 186 890249
info@marflex.com
www.marflex.com