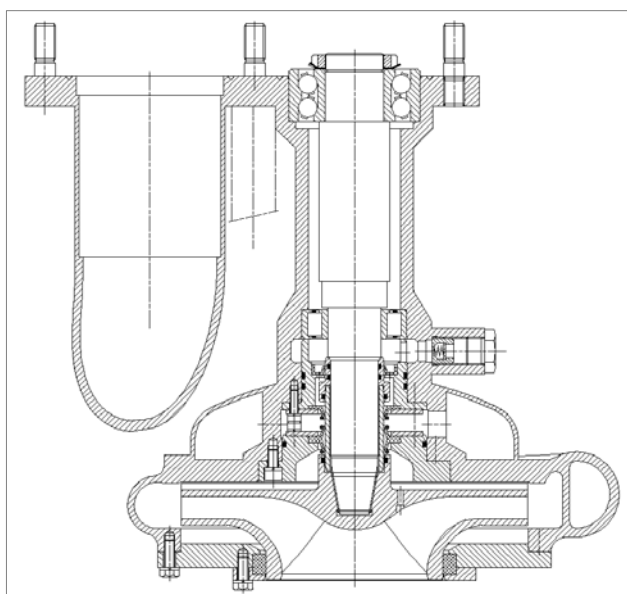




MarFlex

Deepwell cargo pump head

Recommended spare part sets



Service Bulletin

No. 4 - 2018

Service Bulletin



To simplify the selection of recommended spare part sets, MarFlex offers two standardized spare part sets per pump head type. The new available standard spare part sets are separated into a basic and extended set.

The MarFlex basic spare part set contains the general wear-and-tear parts as O-rings, wear rings, seals and bearings.

The MarFlex extended spare part set contains other major parts such as a pump shaft, seal holders and other relevant materials.

To resolve a typical seal related issue, only a basic spare part set is required. For a complete pump overhaul, a basic and an extended spare part set is required.

The recommended spare part sets for cargo pump heads have been changed. A distinction is made between wearing parts and other parts.

Tables 1 to 3 show which sets belong to the respective pump head types. The correct pump head number can be found in the manual on the 'scope of supply' drawing.

For any queries or technical advice, please contact MarFlex at:

service@marflex.com

T +31 (0)186 890 200

Service Bulletin



Pump type	Spare part set type	BASIC										EXTENSIVE				
	Spare part set no.	900930	900931	900932	900933	900934	900935	900936	900937	900938	900939	900940	900941	900942	900943	900944
		Pump head no.														
MDPD-80	900050		✓									✓				
	900062							✓						✓		
	900063							✓						✓		
	900064						✓							✓		
	900065									✓					✓	
	900066										✓					✓
	900086	✓												✓		
	900087		✓											✓		
	900090		✓											✓		
	900097						✓							✓		
	900103						✓							✓		
	900111				✓									✓		
	900118									✓				✓		
	900122		✓											✓		
	900134		✓											✓		
	900137					✓								✓		

Table 1: Recommended spare part sets MDPD-80

Service Bulletin



Pump type	Spare part set type	BASIC											EXTENSIVE								
	Spare part set no.	900945	900946	900947	900948	900949	900950	900952	900953	900954	900959	900962	900963	900973	900955	900956	900957	900958	900964	900974	900977
		Pump head no.																			
MDPD-100	900081	✓																	✓		
	900091	✓																	✓		
	900102				✓														✓		
	900105			✓															✓		
	900106		✓																✓		
	900110													✓					✓	✓	
	900117					✓													✓		
MDPD-150	900005								✓							✓					
	900074						✓								✓						
	900076					✓								✓							
	900089											✓					✓				
	900119									✓				✓							
	900120								✓					✓							
MDPD-200	900230										✓							✓			

Table 2: Recommended spare part sets MDPD-100, MDPD-150, MDPD-200

Service Bulletin



Pump type	Spare part set type		BASIC								EXTENSIVE								
	Spare part set no.	Pump head no.	900960	900961	900965	900966	900967	900968	900975	900978	900979	900969	900970	900971	900972	900976	900980	900981	900982
MDPC-200		900044	✓													✓			
		900046							✓								✓		
		900047		✓												✓			
		900344									✓								✓
MDPC-250		900000				✓						✓							
		900001					✓						✓						
		900004						✓						✓					
		900353			✓							✓							
MDPC-300		900290							✓					✓					

Table 3: Recommended spare part sets MDPC-200, MDPC-250, MDPC-300



MarFlex



MarFlex Europe (Headquarters)

Louis Pasteurstraat 8
3261 LZ Oud-Beijerland
The Netherlands

T +31 186 890200
F +31 186 890249
info@marflex.com
www.marflex.com